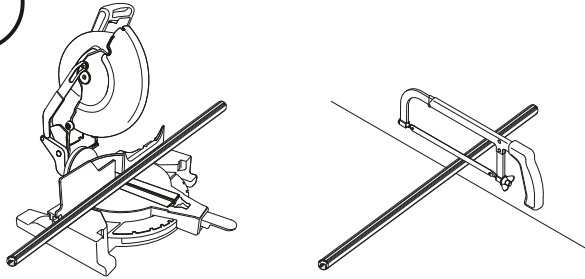
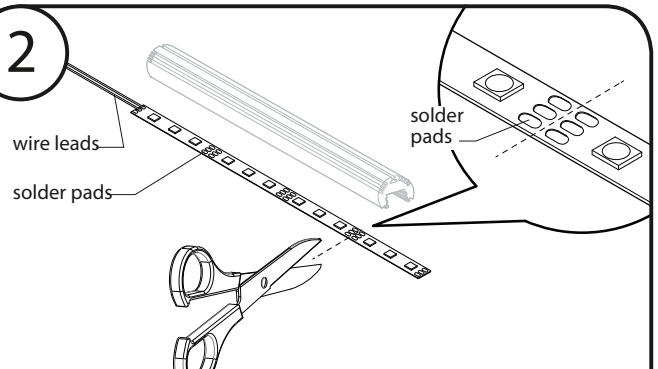


1



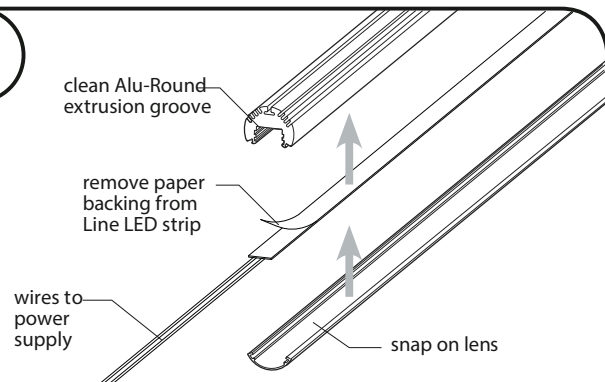
If required for installation cut down Alu-Round aluminum extrusion to desired length with hacksaw or miter saw that has an appropriate blade for cutting aluminum. Always wear safety goggles when cutting. Then cut down accompanying lens to fit the new length.

2



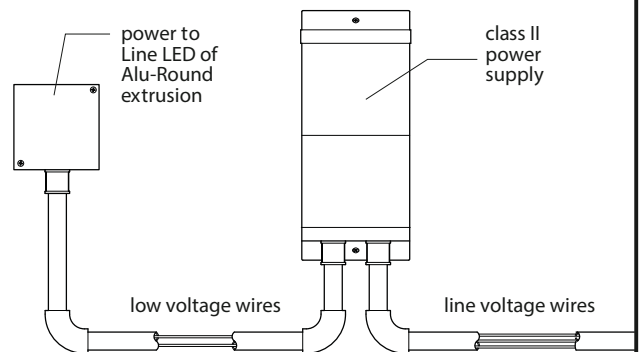
If required to fit the new Alu-Round extrusion length, cut down the Line LED strip in between two rows of solder pads. Always cut LineLED from end without connector / lead wires. Ensure that Line LED strip fits completely inside the extrusion and the solder pads do not touch the metal end caps to avoid shorting of circuit.

3



After cutting extrusion and lens, clean both thoroughly with a wet rag and ensure they are completely dry before installing LED strip. Gently press Line LED inside extrusion and then snap on the lens.

4



Ensure power is off to power supply!

Once the Alu-Round is assembled with all parts and accessories, connect wires from Line LED to appropriate power supply. For more information please refer to power supply and Line LED wiring instructions.